



Size Charts for *Tabi* and *Kyahan*

Tabi Size Chart

Below is a basic shoe size conversion chart for adults (kids next page). It can be used as a rough idea of the size of *tabi* boot you might need, however we recommend that you measure your feet properly to ensure that you get the correct size.

How to measure your foot:

Standing, place your foot on a piece of paper and trace your foot with a pen or pencil. Make sure that the pen is always exactly perpendicular (90 degrees) to the floor.

Measure the length of your foot from the heel to the tip of the longest toe in centimeters and *round up* to the nearest size. For example, if your foot measures 27.3cm you need a size 27.5, or if you measure 27.5cm you will need a size 28 boot.

Adult Sizes:

Tabi Size (Japanese size)	US (men)	US (women)	UK	EU
23	5	6	4	37
24	6	7	5	38
24.5	6.5	7.5	6	38.5
25	7	8	6.5	39
25.5	7.5	8.5	7	40
26	8	9	7.5	41
26.5	8.5	9.5	8	42
27	9	10	8.5	43
27.5	9.5	10.5	9	43.5
28	10	11	9.5	44
29	11	12	10.5	45
30	12	13	11.5	46



Kids Sizes:

Kids Tabi Size (Japanese size)	US	UK	EU
14	6	6	23
15	8	7	25
16	9	9	26
17	10	10	27
18	11	11	28
19	13	12	30
20	1	13	42
21	2	11/2	43
21.5	2.5	2	43.5
22	3	21/2	44
22.5	4	3	45



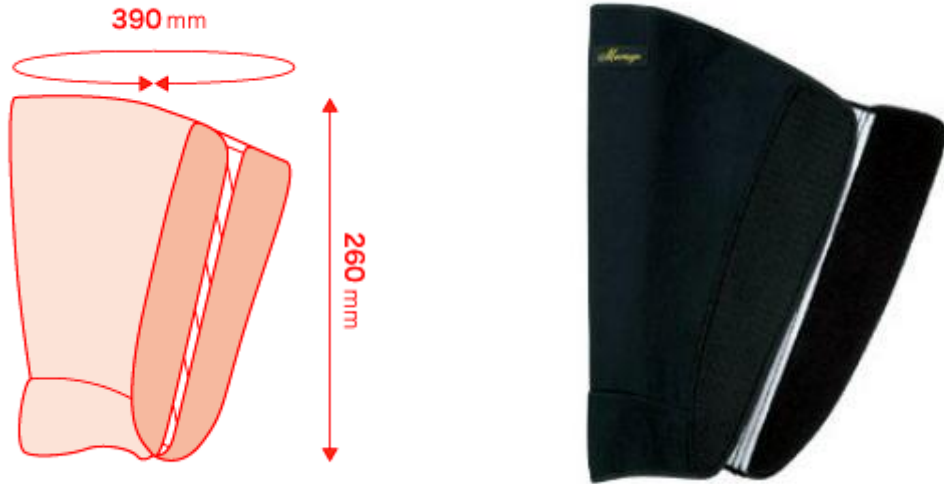


Kyahan

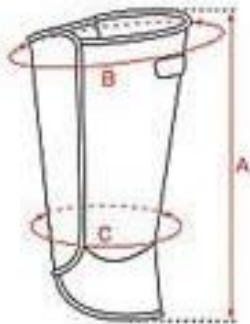
Images and sizing charts below for the various types of *kyahan* (leg wraps) available.

Velcro:

Kyahan Magic (Long)



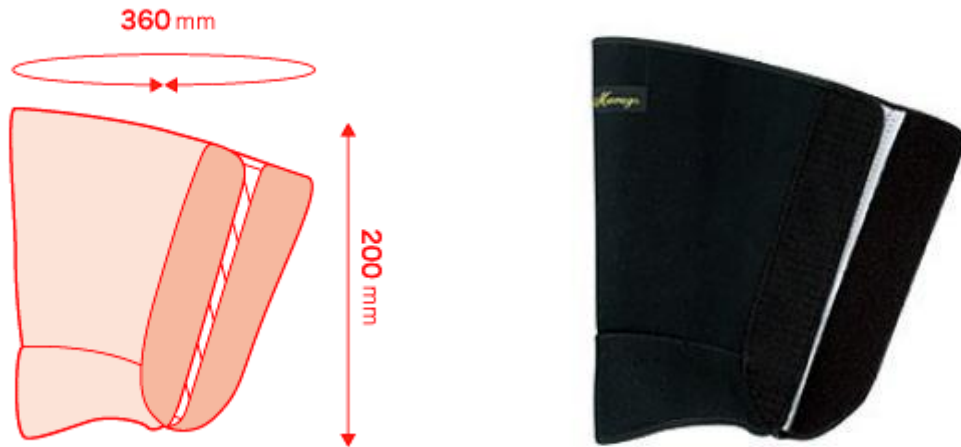
※ This is the rough dimensions of the case of size-L.



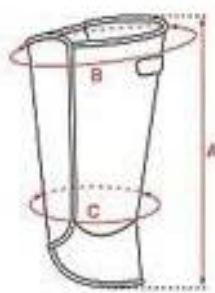
	(cm)		
SIZE	A	B	C
M	30.0	29.0~31.0	20.0~22.0
L	30.0	31.0~33.0	22.0~24.0
LL	30.0	33.0~35.0	24.0~26.0
XL	31.0	40.0~42.0	27.0~29.0



Kyahan Magic



※ This is the rough dimensions of the case of size-L.

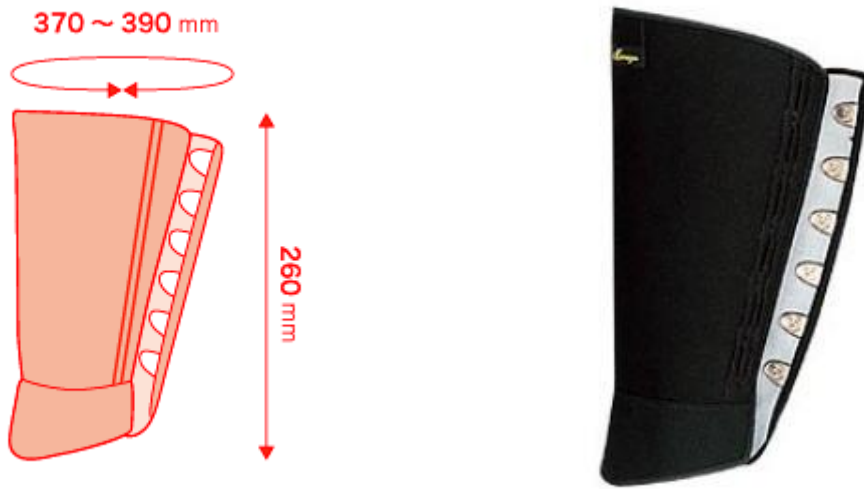


	(cm)		
SIZE	A	B	C
M	21.0	28.0~30.0	20.0~22.0
L	21.0	30.0~32.0	22.0~24.0
LL	21.0	32.0~34.0	24.0~26.0
XL	21.0	38.0~40.0	30.0~32.0



Tabbed:

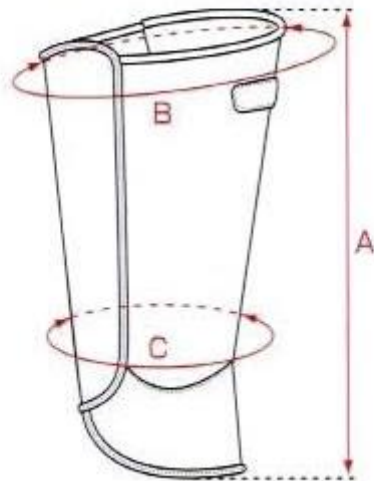
Marugo Kyahan 6



※ This is the rough dimensions of the case of size-L.

(cm)

SIZE	A	B	C
M	30.0	35.5~37.0	23.0~24.0
L	30.0	37.0~38.5	24.0~25.0
XL	30.0	38.5~40.0	25.0~26.0





Marugo Kyahan 5



※ This is the rough dimensions of the case of size-L.

(cm)

SIZE	A	B	C
M	21.0	31.0~32.0	24.0~25.0
L	21.0	32.0~33.0	25.0~26.0
XL	21.0	33.0~34.0	26.0~27.0

